

United
States
of
America

To Promote the Progress



of Science and Useful Arts

The Director

of the United States Patent and Trademark Office has received an application for a patent for a new and useful invention. The title and description of the invention are enclosed. The requirements of law have been complied with, and it has been determined that a patent on the invention shall be granted under the law.

Therefore, this United States

Patent

grants to the person(s) having title to this patent the right to exclude others from making, using, offering for sale, or selling the invention throughout the United States of America or importing the invention into the United States of America, and if the invention is a process, of the right to exclude others from using, offering for sale or selling throughout the United States of America, products made by that process, for the term set forth in 35 U.S.C. 154(a)(2) or (c)(1), subject to the payment of maintenance fees as provided by 35 U.S.C. 41(b). See the Maintenance Fee Notice on the inside of the cover.

Ander Iversen

DIRECTOR OF THE UNITED STATES PATENT AND TRADEMARK OFFICE

Maintenance Fee Notice

If the application for this patent was filed on or after December 12, 1980, maintenance fees are due three years and six months, seven years and six months, and eleven years and six months after the date of this grant, or within a grace period of six months thereafter upon payment of a surcharge as provided by law. The amount, number and timing of the maintenance fees required may be changed by law or regulation. Unless payment of the applicable maintenance fee is received in the United States Patent and Trademark Office on or before the date the fee is due or within a grace period of six months thereafter, the patent will expire as of the end of such grace period.

Patent Term Notice

If the application for this patent was filed on or after June 8, 1995, the term of this patent begins on the date on which this patent issues and ends twenty years from the filing date of the application or, if the application contains a specific reference to an earlier filed application or applications under 35 U.S.C. 120, 121, 365(c), or 386(c), twenty years from the filing date of the earliest such application ("the twenty-year term"), subject to the payment of maintenance fees as provided by 35 U.S.C. 41(b), and any extension as provided by 35 U.S.C. 154(b) or 156 or any disclaimer under 35 U.S.C. 253.

If this application was filed prior to June 8, 1995, the term of this patent begins on the date on which this patent issues and ends on the later of seventeen years from the date of the grant of this patent or the twenty-year term set forth above for patents resulting from applications filed on or after June 8, 1995, subject to the payment of maintenance fees as provided by 35 U.S.C. 41(b) and any extension as provided by 35 U.S.C. 156 or any disclaimer under 35 U.S.C. 253.



US010566745B2

(12) **United States Patent**
Ronchi et al.

(10) **Patent No.:** **US 10,566,745 B2**
(45) **Date of Patent:** **Feb. 18, 2020**

(54) **COMPACT INTERLOCKED ELECTRICAL SOCKET**

(71) Applicant: **PALAZZOLI S.P.A.**, Brescia (IT)

(72) Inventors: **Marco Ronchi**, Brescia (IT); **Gianluigi Petrogalli**, Leno (IT)

(73) Assignee: **PALAZZOLI S.P.A.**, Brescia (IT)

(*) Notice: Subject to any disclaimer, the term of this patent is extended or adjusted under 35 U.S.C. 154(b) by 0 days.

(21) Appl. No.: **15/773,341**

(22) PCT Filed: **May 19, 2017**

(86) PCT No.: **PCT/EP2017/000604**

§ 371 (c)(1),
(2) Date: **May 3, 2018**

(87) PCT Pub. No.: **WO2017/198338**

PCT Pub. Date: **Nov. 23, 2017**

(65) **Prior Publication Data**

US 2019/0067887 A1 Feb. 28, 2019

(30) **Foreign Application Priority Data**

May 19, 2016 (IT) 102016000051784

(51) **Int. Cl.**
H01R 29/00 (2006.01)
H01R 13/703 (2006.01)
H01R 13/625 (2006.01)

(52) **U.S. Cl.**
CPC **H01R 13/7032** (2013.01); **H01R 13/625** (2013.01)

(58) **Field of Classification Search**
CPC H01R 2103/00; H01R 13/6275; H01R 13/20; H01R 13/518; H01R 23/7073; H01R 24/58; H01R 13/7036
(Continued)

(56) **References Cited**

U.S. PATENT DOCUMENTS

2,957,955 A 10/1960 Slecter
5,277,602 A * 1/1994 Yi H01R 13/7036
439/138

(Continued)

FOREIGN PATENT DOCUMENTS

CN 101685933 3/2010
CN 203690653 7/2014

(Continued)

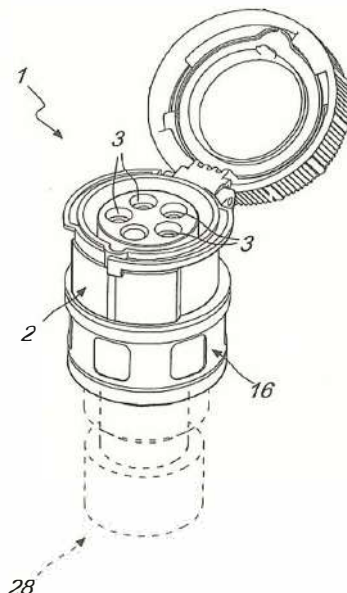
Primary Examiner — Thanh Tam T Le

(74) *Attorney, Agent, or Firm* — Duane Morris LLP; Gregory M. Lefkowitz; Jason M. Nolan

(57) **ABSTRACT**

A compact interlocked electrical socket, including a containment body provided with a plurality of receptacles adapted to receive respective pins of a plug is provided. Each receptacle is electrically connected to a connector by contacts that are movable between a closed contact position, which corresponds to the closure of the circuit, and an open contact position, which corresponds to the opening of the circuit. The closed contact position allows an electrical connection between the receptacle and the connector. The open contact position breaks the electrical connection between the receptacle and the connector. The plug can be mechanically locked in the closed contact position. The breaker locks can be mechanically locked in the open contact position when the plug is not inserted in the socket.

10 Claims, 7 Drawing Sheets



(58) **Field of Classification Search**
 USPC 439/188, 345, 346, 540.1, 541.5, 668;
 200/51.09, 51.1
 See application file for complete search history.

7,537,468 B1 * 5/2009 Huang H01R 13/4536
 439/135
 7,641,489 B1 * 1/2010 Hsu H01R 13/4538
 200/51.09
 7,740,499 B1 6/2010 Willey et al.
 7,931,484 B2 * 4/2011 Chen H01R 13/20
 439/188
 8,496,491 B2 * 7/2013 Baek H01R 13/71
 200/51.09
 8,772,654 B2 * 7/2014 Tziviskos H01R 13/7033
 200/51.09
 9,252,539 B2 * 2/2016 Condo H01R 13/6456
 9,819,127 B2 * 11/2017 Condo H01R 13/6456
 2014/0127926 A1 5/2014 Condo et al.
 2014/0127933 A1 5/2014 Franke et al.

(56) **References Cited**

U.S. PATENT DOCUMENTS

6,039,594 A 3/2000 Zuppa
 6,227,905 B1 * 5/2001 Tsai H01R 13/658
 439/541.5
 6,382,990 B1 * 5/2002 Marechal H01R 13/527
 439/138
 6,431,888 B1 * 8/2002 Crestin H01R 13/4538
 439/141
 7,041,918 B1 * 5/2006 Wu H01R 13/703
 200/51.09
 7,445,472 B1 * 11/2008 Huang H01R 13/4536
 439/138

FOREIGN PATENT DOCUMENTS

EP 224149 10/2010
 GB 208081 12/1923

* cited by examiner

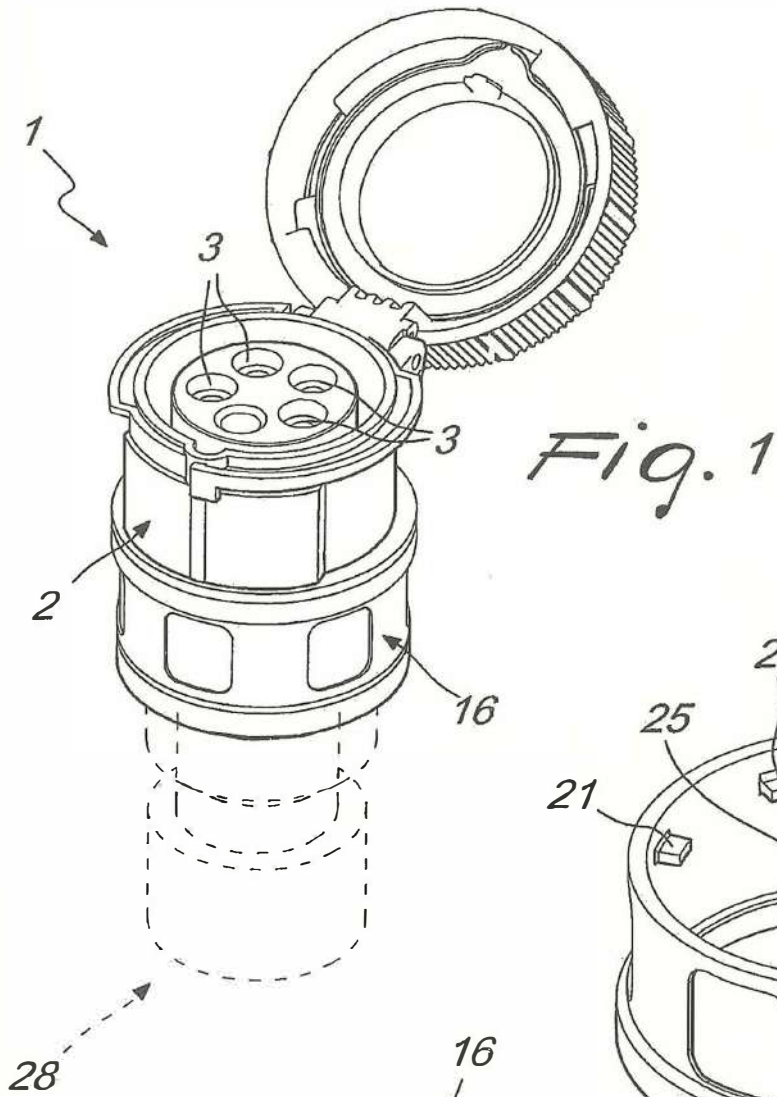


Fig. 1

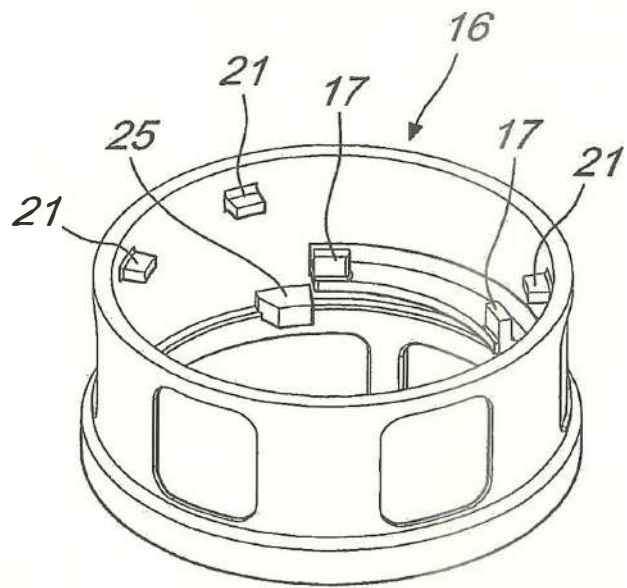


Fig. 2

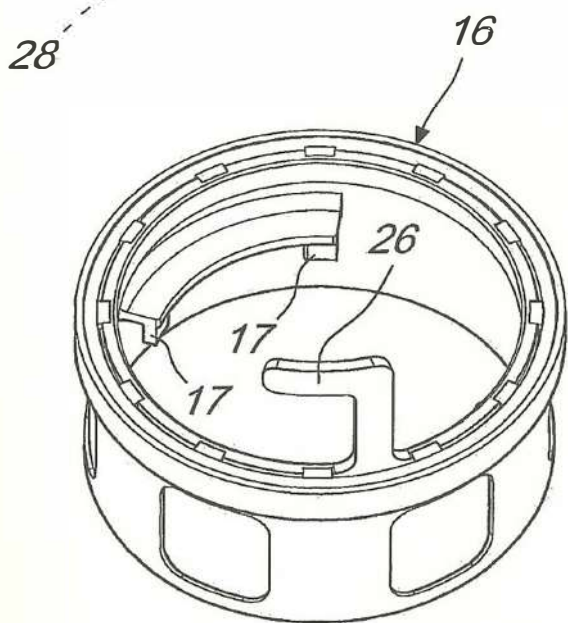


Fig. 3

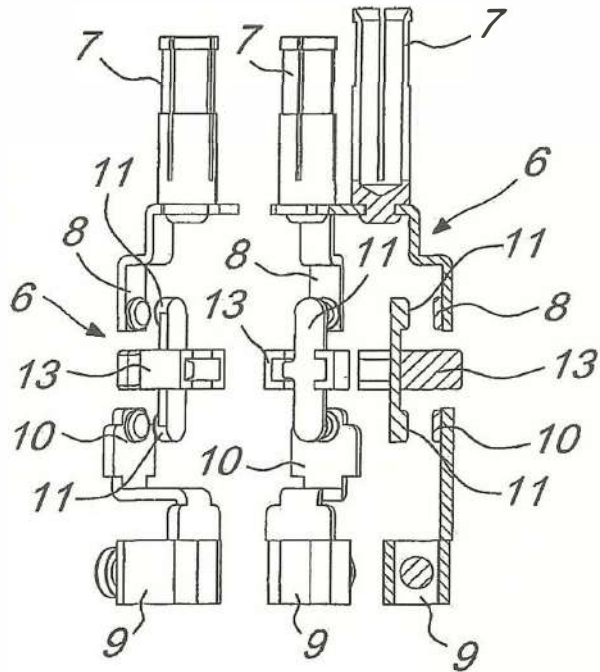


Fig. 4

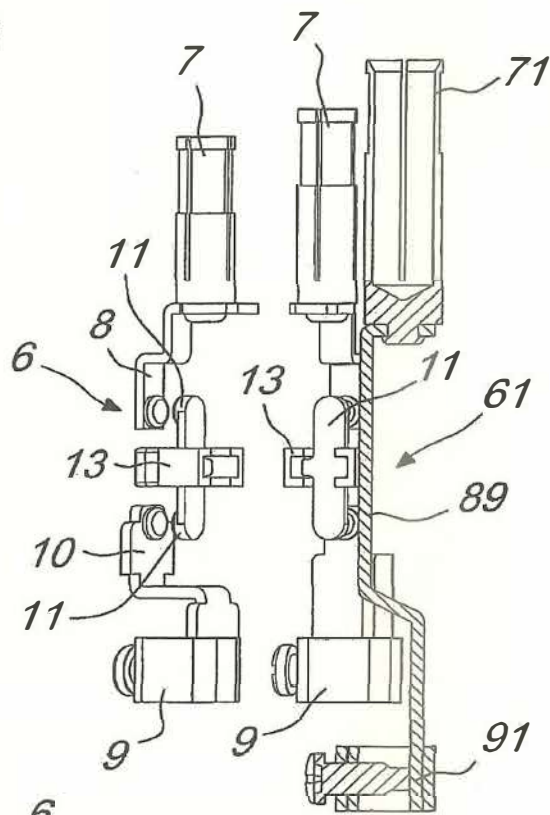


Fig. 5

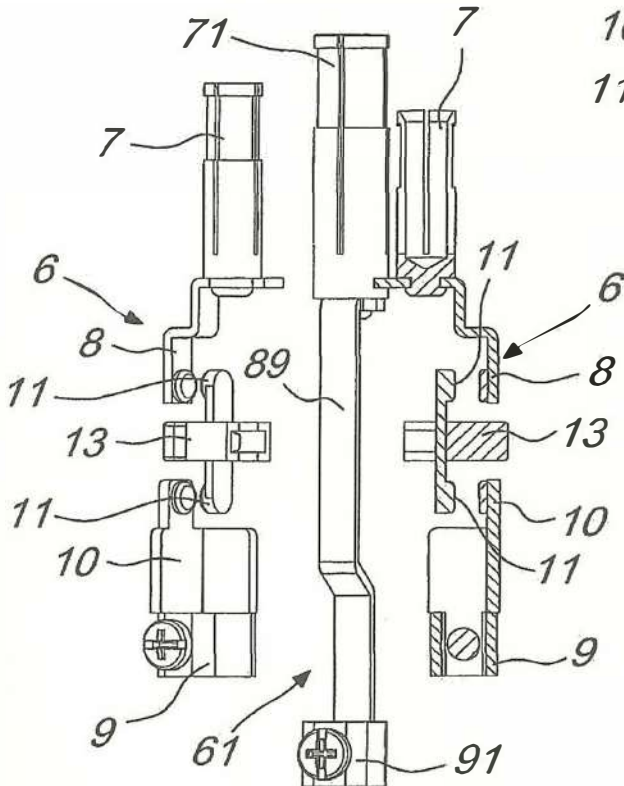


Fig. 6

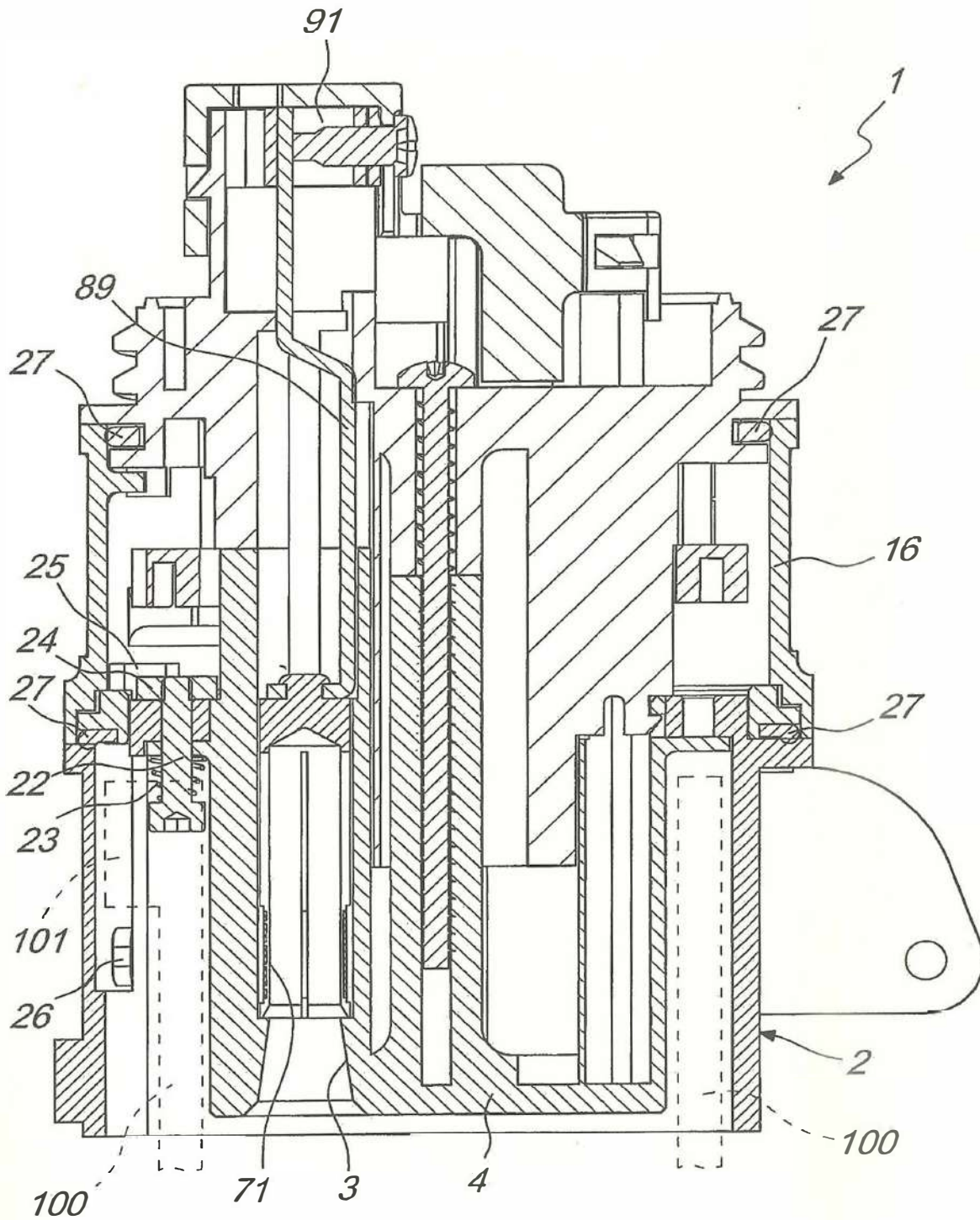


Fig. 7

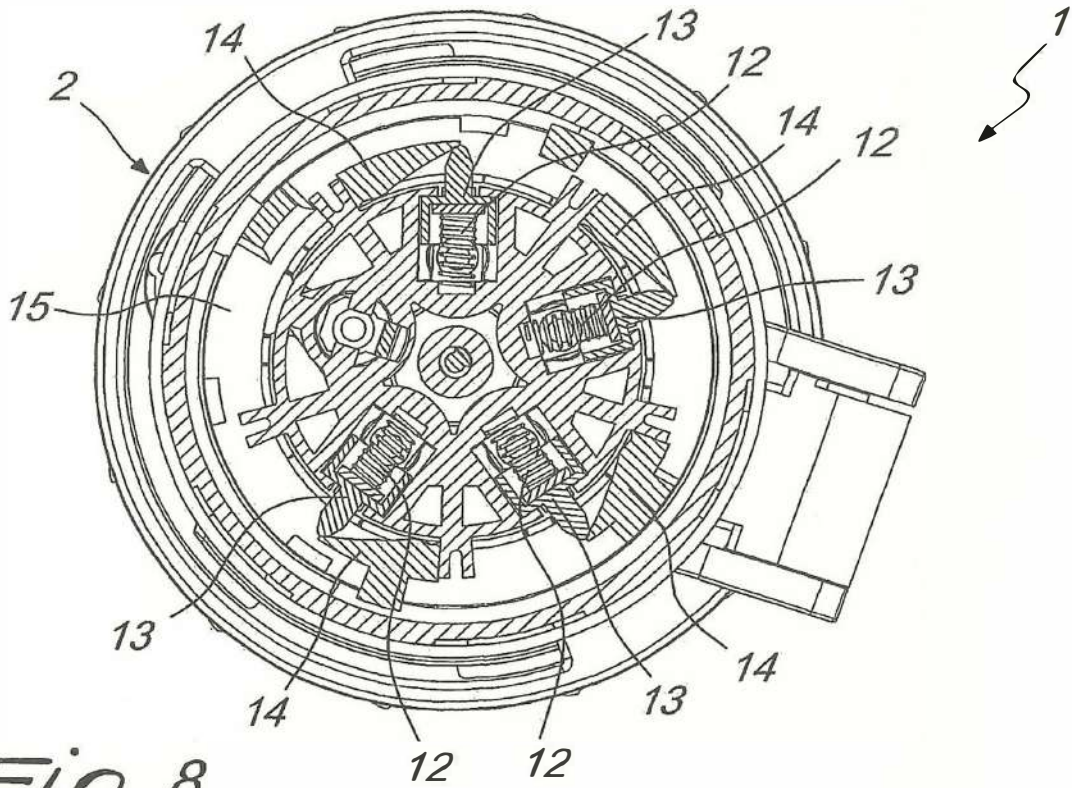


Fig. 8

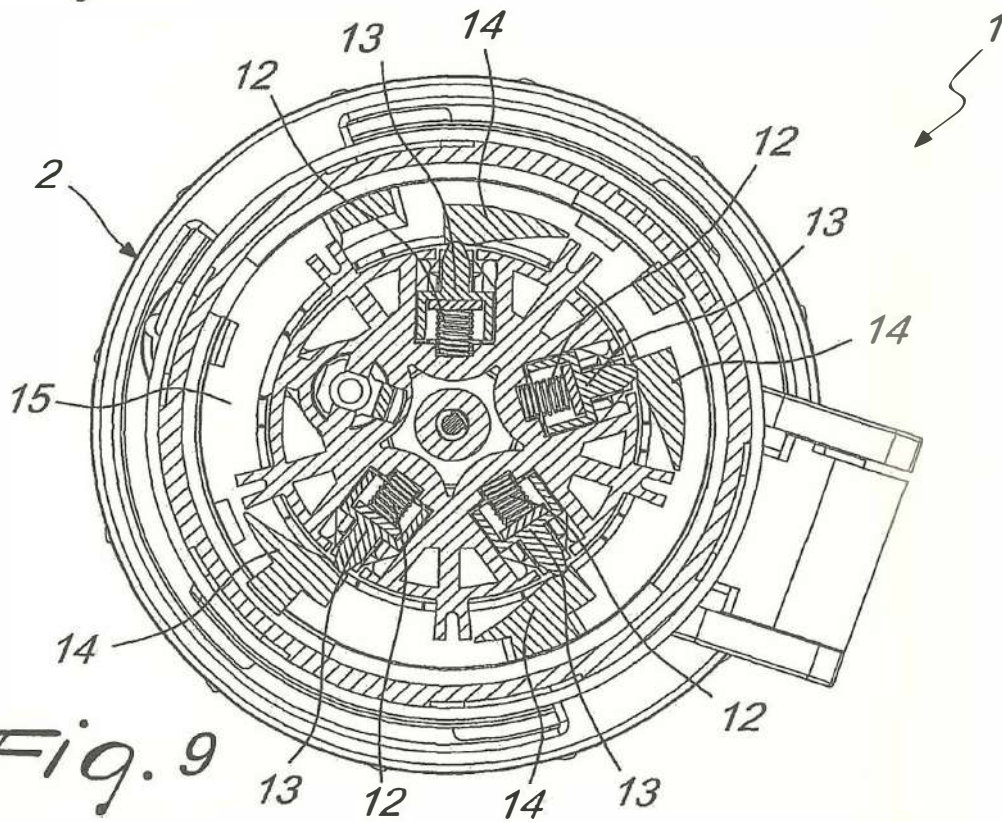


Fig. 9

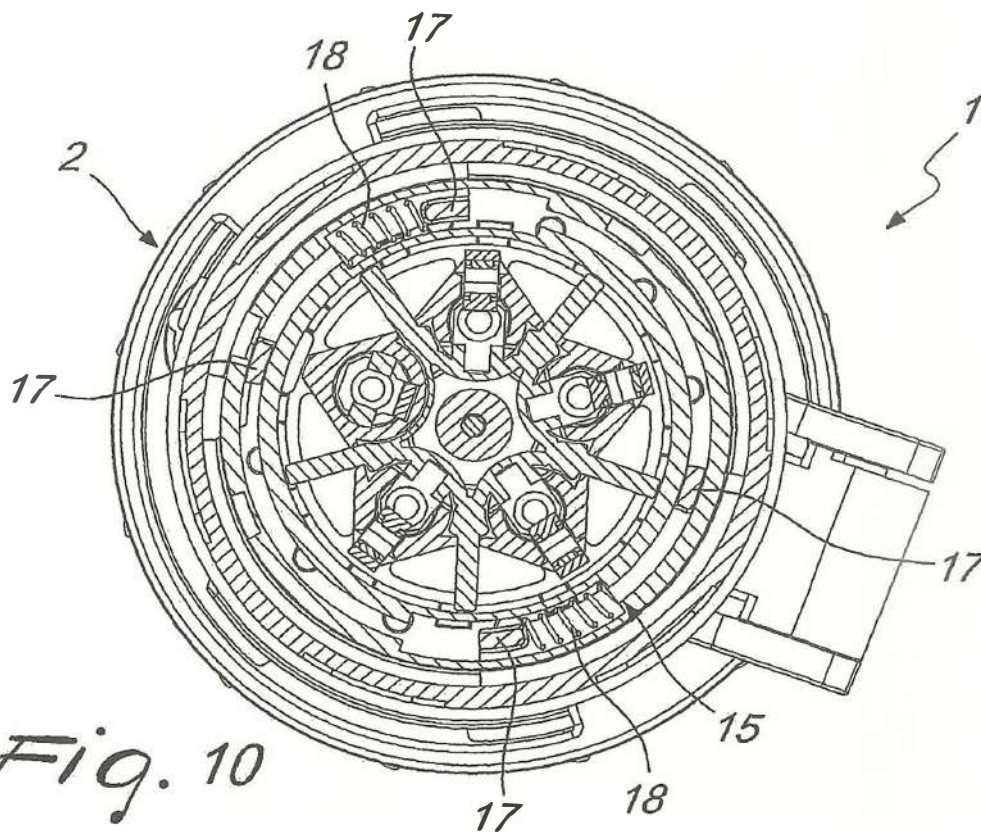


Fig. 10

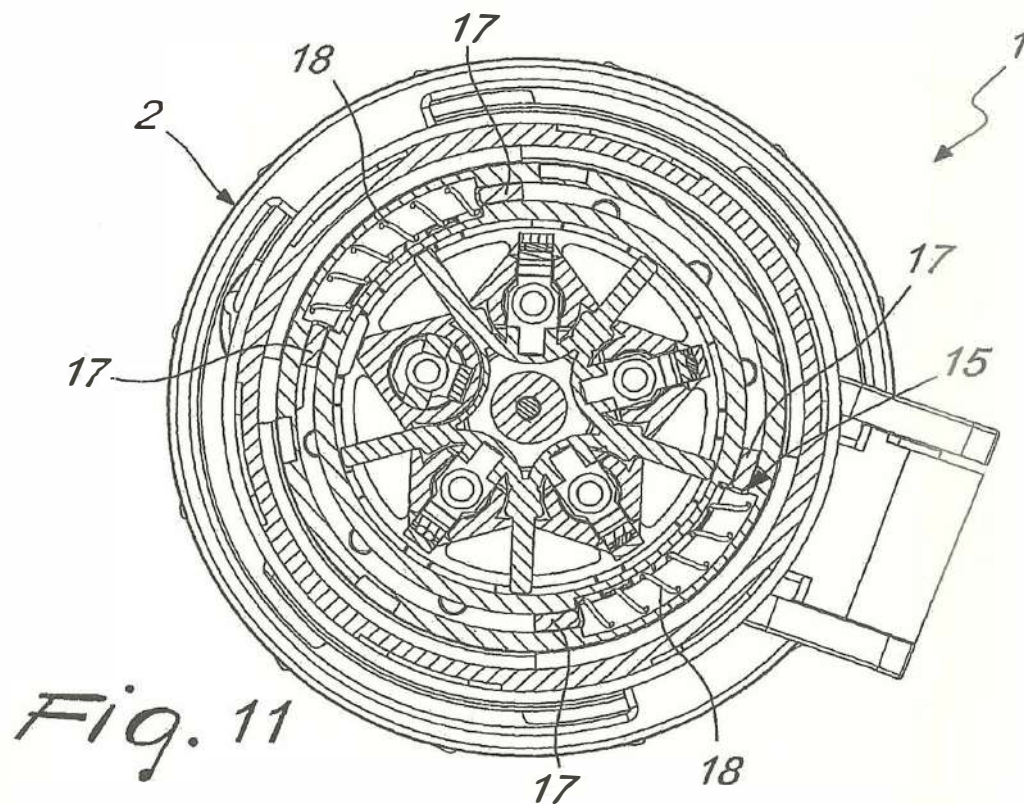
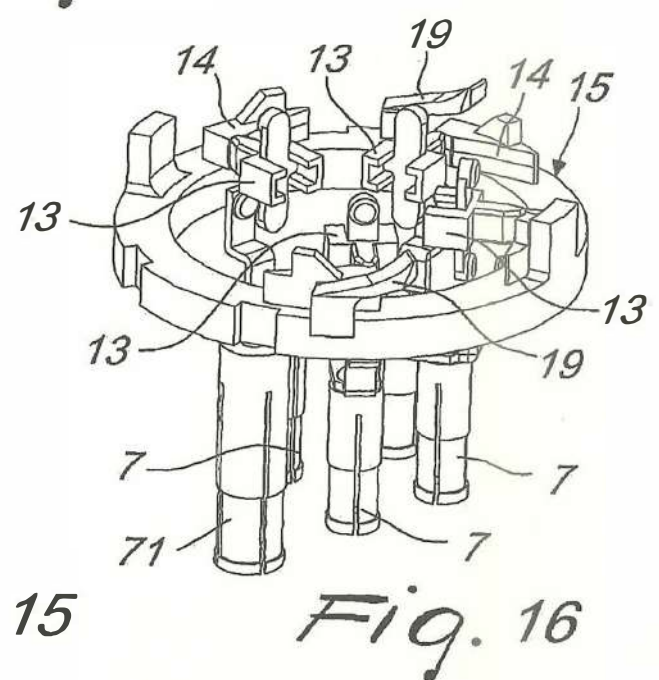
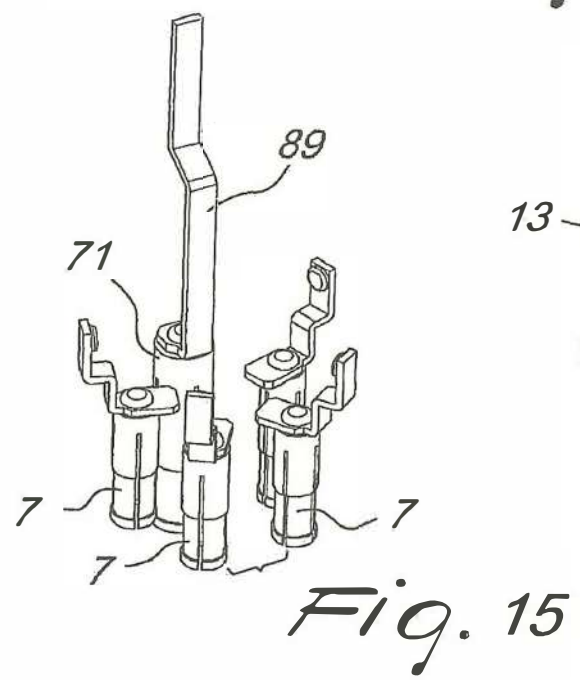
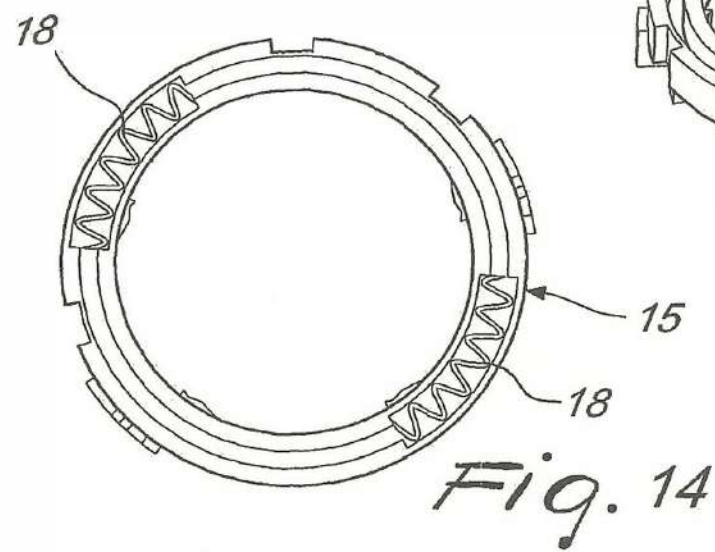
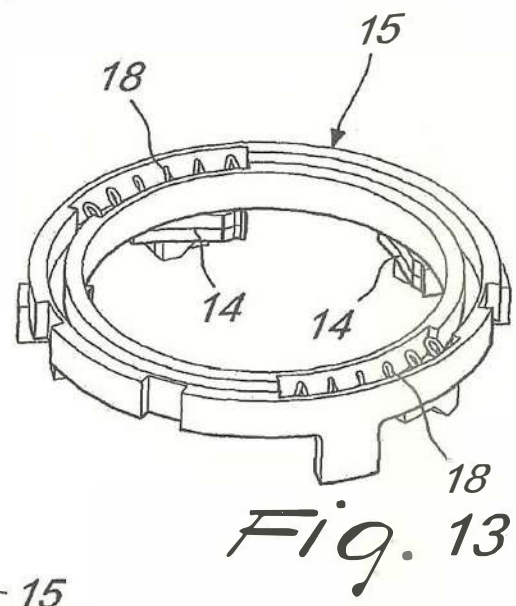
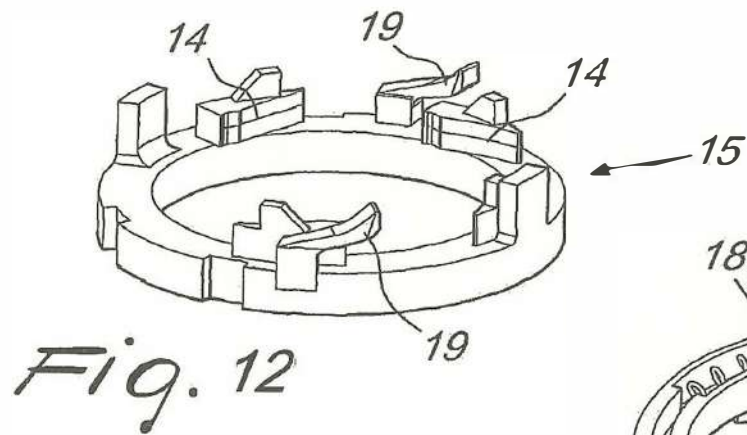


Fig. 11



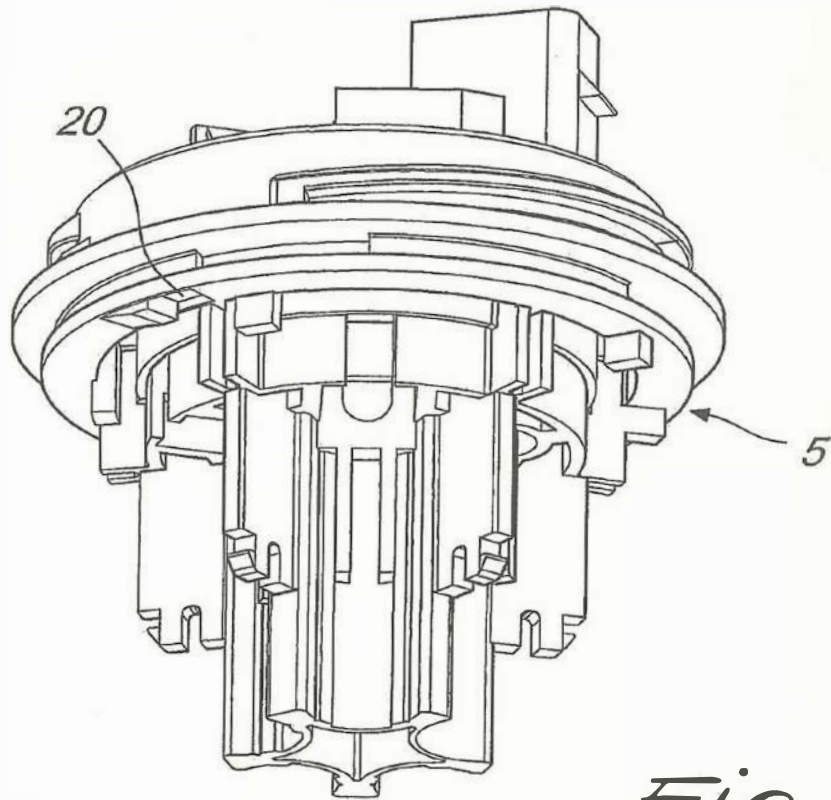


Fig. 17

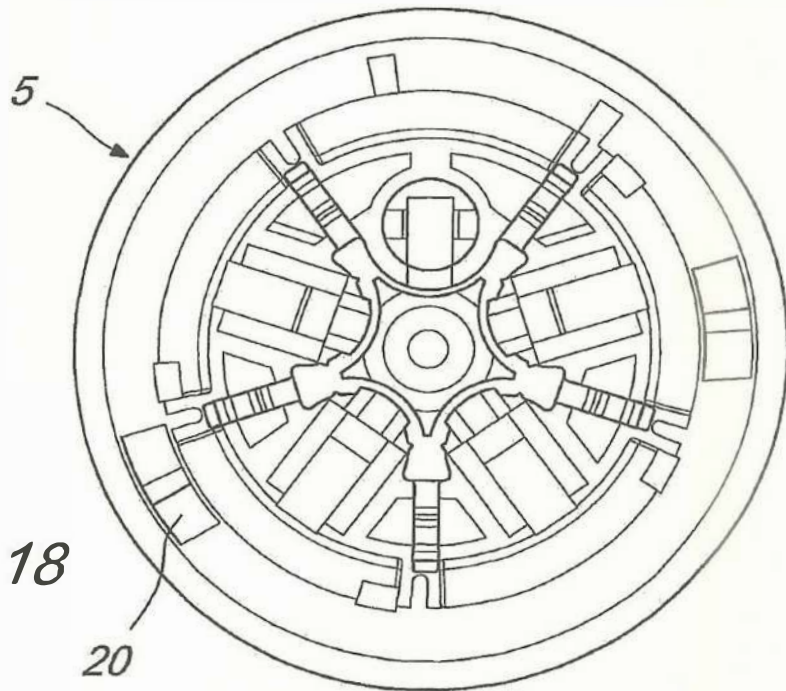


Fig. 18

1

COMPACT INTERLOCKED ELECTRICAL SOCKET

CROSS-REFERENCE TO RELATED APPLICATIONS

This application is a § 371 national stage entry of International Application No. PCT/EP2017/000604, filed May 19, 2017, which claims priority to Italian Patent Application No. 102016000051784, filed May 19, 2016, the entire contents of which are incorporated herein by reference.

FIELD OF INVENTION

The present invention relates to a compact interlocked electrical socket.

The present invention relates in particular to an industrial socket that is compliant with the EN60309-1 EN60309-2 standard, which is provided with a circuit breaker and a mechanical interlock, in compliance with the EN 60309-4 standard; however, it is evident to the person skilled in the art that the present invention can be applied advantageously also to sockets provided according to other standards or outside of the standards.

BACKGROUND

As is known, in order to ensure the safety of the operators and the integrity of all apparatuses with high absorption levels, an interlocked socket incorporates a locking device, of a mechanical or electrical type or a combination thereof, which is connected to an electric circuit breaker, which is constituted very often by a rotary switching apparatus, in order to ensure that the plug cannot be inserted or removed in the presence of voltage.

Conventional interlocked sockets generally have considerably larger dimensions than simple sockets having similar electrical characteristics, in order to be able to accommodate the breaker of the electric circuit, the member for actuating it and the device for the mechanical locking of the plug.

GB208081 discloses a plug connector combined with an electric switch. Two contact carrying discs are coupled together on inserting the plug which latter is turned to close the circuit and retained in this position by a detent engaging a pin of the plug; upon withdrawing the plug the lower disc is released and opens the circuit and the detent and upper disc are then released in turn. The plug has three pins, one longer than the others. The pins enter bushed holes in an upper disc carrying contact arms in connection with the bushes and normally pressed into two spring jaws on a second disc. The pin enters a hole in the disc and when the plug is turned both discs are carried around so that contact blades connected to the contact jaws on the disc are inserted into terminal jaws on the base and close the circuit. Springs controlling each disc are strained in this movement and a spring controlled detent on a part and arranged between the discs engages the pin and locks it and the discs against rotation.

BRIEF SUMMARY OF THE INVENTION

The aim of the present invention is to provide an interlocked electrical socket that has an extremely more compact structure compared to the interlocked sockets of the prior art.

Within the scope of this aim, an object of the invention is to provide a compact interlocked electrical socket that can be used as an inline socket.

2

Another object of the invention is to provide a compact interlocked electrical socket that can be mounted on a wall or on an electrical panel, occupying an extremely reduced space with respect to a conventional interlocked socket.

A further object of the present invention is to provide a compact interlocked electrical socket that is capable of complying with the most widespread rules and standards.

Another object is to provide a compact interlocked electrical socket that is easy and simple to use.

Another object of the present invention is to provide a socket which, by virtue of its particular constructive characteristics, is capable of giving the greatest assurances of reliability and safety in use.

Another object of the present invention is to provide a structure that can be provided easily by using commonly commercially available elements and materials and is furthermore competitive from an economic standpoint.

This aim and these and other objects which will become better apparent hereinafter are achieved by a compact interlocked electrical socket as claimed in the appended claims.

BRIEF DESCRIPTION OF THE DRAWINGS

Further characteristics and advantages will become better apparent from the description of preferred but not exclusive embodiments of the invention, illustrated by way of non-limiting example in the accompanying drawings, wherein:

FIG. 1 is a perspective view of the compact interlocked electrical socket according to the present invention;

FIG. 2 is a perspective view of the switching member of the breaker;

FIG. 3 is a perspective view of the opposite side, with respect to the preceding figure, of the switching member;

FIG. 4 is a perspective view of three terminal-receptacle contact chains, shown in cross-section at the neutral contact chain;

FIG. 5 is another perspective view of three terminal-receptacle contact chains, shown in cross-section at the ground contact chain;

FIG. 6 is a perspective view of three terminal-receptacle contact chains, shown in cross-section at the phase contact chain;

FIG. 7 is a longitudinally sectional view of the socket;

FIG. 8 is a transverse sectional plan view of the socket in the closed breaker position;

FIG. 9 is a view, similar to the preceding one, of the socket in the open breaker position;

FIG. 10 is a plan view, taken in transverse cross-section in the cam disk region, which shows the switching springs in the compressed position;

FIG. 11 is a view, similar to the preceding one, of the switching springs in the extended position;

FIG. 12 is a perspective view of the cam disk;

FIG. 13 is a perspective view of the opposite side, with respect to the preceding figure, of the cam disk;

FIG. 14 is a plan view of the cam disk;

FIG. 15 is a perspective view showing five receptacles and the respective fixed contacts;

FIG. 16 is a schematic perspective view of the arrangement of the five receptacles and of the respective fixed contacts of the preceding figure with respect to the cam disk;

FIG. 17 is a perspective view of the central body of the socket;

FIG. 18 is a plan view of the central body of the socket.

DETAILED DESCRIPTION OF THE INVENTION

With reference to the cited figures, the compact interlocked electrical socket according to the invention, globally

3

designated by the reference numeral **1**, includes a containment body **2** having a plurality of seats **3** for respective receptacles adapted to receive the pins of a plug, which is not shown in the figures.

The seats **3** are provided in a cylindrical part **4** which is accommodated in the containment body **2** in which a central body **5** is also engaged which acts as a support for a plurality of contact chains **6**.

Each contact chain **6** includes a receptacle **7**, having a corresponding downstream fixed contact **8**, and a terminal **9**, having a respective upstream fixed contact **10**.

The fixed contacts **8** and **10** are placed in mutual electrical contact by means of a movable contact **11**.

The socket also includes a contact chain **61** for ground connection, which is constituted by a receptacle **71** which is connected to a terminal **91** by means of a blade **89** without discontinuity.

In each contact chain **6**, the upstream fixed contact **10** is connected to the power source and the downstream fixed contact **8** is connected to the load.

The movable contact **11** is pressed by a spring **12** in contrast with a movable mechanical device and can be brought into contact alternately with the fixed contacts **8** and **10** or spaced from them.

In the embodiment shown in the figures, in each contact chain **6**, the upstream fixed contact **10** is connected to the respective terminal **9**, to which a power supply cable, not shown in the figures, is wired, while the downstream contact **8** is connected to the receptacle **7**, i.e., to the female contact of the socket **1**.

The upstream contacts **10** and the downstream contacts **8** are arranged along a circumference.

The poles can be two, three or four, in addition to the ground, which is a through ground and is not disconnected.

The contact chains **6** of the various poles allow an advantageous execution of the closure and opening of the contacts by means of the movement of the movable contacts **11**.

Each movable contact **11** slides in a seat which makes the movable contact **11** move exclusively in a radial direction.

Each movable contact **11** is accommodated in a contact holder **13**, which has the triple purpose of sliding along the seat, accommodating the spring **12** and sliding against a cam **14**.

The movable contact **11** is kept pressed by the spring **12**, which pushes it toward the fixed contacts **8** and **10**.

The contrast spring **12** is calibrated so that when the contact is closed it provides the correct contact pressure between the movable contacts **11** and each fixed contact **8**, **10**.

The opening operation is performed by the cams **14** provided on a cam disk **15**.

The cam disk **15** rotates through a preset angle. The rotation of the cam disk **15**, which is limited by stroke limiters constituted by mechanical abutments, causes the back and forth translation of each contact holder **13** and with it of the respective movable contact **11**. The term "forward" means that the

FIG. **8** shows the cam disk **15** in the closed breaker position, in which the contacts **11** are at the outward stroke limit; FIG. **9** shows the open breaker position, wherein the contacts **11** are at the stroke limit, toward the center.

The rotary motion for the actuation of the cam disk **15** is transmitted by an external member which is constituted by a switching ring **16** which is held and rotated.

4

The switching ring **16** contributes to constitute the enclosure of the socket and ensures the hermetic tightness, "IP rating", with an appropriate gasket system.

Transmission of the motion between the switching ring **16**, which is actuated by hand, and the internal cam disk **15** can occur in two manners.

The simplest manner is that the two components are mutually integrally coupled; in this case the motion of the ring coincides with the motion of the internal cams.

A second manner, which is more advantageous from a functional standpoint, allows a so-called "independent switching" of the breaker in which there is no relation between the speed of the external switching, imposed by the hand, and the speed of movement of the contacts.

This second manner is the preferred embodiment of the present invention.

The switching ring **16** is provided with pusher members **17** which, when the ring rotates, begin to compress two switching springs **18** which are accommodated in the cam disk **15**, which is initially coupled and unable to rotate.

The rotation of the switching ring **16**, in view of the constraint of the cam disk **15**, compresses progressively the switching springs **18**.

The rotation of the cam disk **15** is prevented by a system of lugs **19**, which engage slots **20** provided in the central body **5**, which is a fixed part of the socket **1**.

A pair constituted by a lug **19** and a slot **20** locks the cam disk **15** in a "0" position, i.e., in the open contact position, while the second pair constituted by the lug **19** and the slot **20** blocks the cam disk **15** in the "1" position, i.e., in the closed contact position.

The rotation of the switching ring **16**, in the absence of the rotation of the cam disk **15**, produces a progressive compression of the switching springs **18** until, when a given rotation angle has been reached, brackets **21** formed within the switching ring **16** extract the lug **19** of the cam disk **15** from the corresponding slot **20**.

At this point the cam disk **15**, which is no longer constrained and pressed by the switching springs **18** at their point of maximum compression, rotates at a speed that is determined by forces and frictions but not by the hand of the operator, the movement of which has by now ended.

Pushed by the switching springs **18**, the cam disk **15** rotates rapidly until it arrives at a mechanical stop.

The rotation of the cam disk **15**, as described above, actuates the movable contacts **11** by means of the cams **14**.

In its final position, the second lug **19** engages the second slot **20**. This engagement prevents the rotation of the cam disk **15** in the opposite direction when one proceeds with the reverse switching.

The opening and closing switching is perfectly symmetrical.

FIGS. **10** and **11** show the switching springs **18** in the rest position/maximum extension position (FIG. **11**) and in the compression position (FIG. **10**).

According to the present invention, the socket **1** also has a mechanical socket/plug interlock, which has the dual function of preventing the actuation of the breaker in ON mode, if the plug is not inserted, and of preventing the extraction of the plug if the breaker is in the ON mode.

As in conventional interlocked sockets, the interlock system makes the following sequences mandatory: inserting the plug and then operating the breaker to the ON position, in order to perform the electrical connection, and operating the breaker in the OFF position and extracting the pin, in order to break the electrical connection.

5

The interlock system includes a slider **22** with a return spring **23** which is arranged in the interspace between the cylindrical part **4** and the enclosure **2**.

When the plug is extracted, the slider **22** is in the position in which the return spring **23** is extended.

As can be seen in FIG. 7, in this position the internal head **24** of the slider **22** engages a contrast member **25** of the switching ring **16**, preventing its rotation and consequently the actuation of the breaker to the ON mode.

When the plug is inserted, its annular part **100**, shown in dashes, presses against the slider **22**, making it shift and compressing the return spring **23**. Once the shifting has been completed, the internal head **25** disengages from the contrast member **25** of the switching ring **16**, allowing its rotation and consequently the actuation of the breaker to the ON mode.

The interlock system also includes a hook **26**, which is formed in the switching ring **16** and is adapted to interact with a lug **101** provided on the plug, which has standardized dimensions and positions.

As described above, when the plug is inserted it is possible to rotate the switching ring **16** to the breaker ON position. This rotation moves the hook **26** to a position that traps the lug **101**, as visible in FIG. 7.

The switching ring **16** contributes to form the enclosure of the socket, which must protect the electrical contacts from the penetration of liquids and solids ("IP" rating). This function is obtained by means of gaskets **27** which are arranged between the switching ring **16** and the core of the socket.

In the use of the interlocked socket as an inline socket, the socket assembly is associated with a grip **28**, shown with broken lines in FIG. 1.

The socket assembly, without the grip **28**, can be mounted on a wall or on an electrical panel by means of adapted systems of flanges and sliders.

In practice it has been found that the invention achieves the intended aims and objects, an interlocked electrical socket having being provided which is extremely more compact than traditional interlocked sockets and at the same time is easy to use.

This application claims the priority of Italian Patent Application No. UA2016A003614 (corresponding to No. 102016000051784), filed on May 19, 2016, the subject matter of which is incorporated herein by reference.

The invention claimed is:

1. A compact interlocked electrical socket comprising:

a containment body provided with a plurality of receptacles adapted to receive respective pins of a plug;

wherein each of said receptacles is electrically connected to a connector by means of a movable contact that moves between a closed contact position and an open contact position; and

wherein said closed contact position allows an electrical connection between said receptacle and said connector, and said open contact position breaks the electrical connection between said receptacle and said connector;

a plug lock member configured to mechanically lock said plug in said socket in said closed contact position,

a breaker lock member configured to mechanically lock said movable contact in said open contact position, when said plug is not inserted in said socket;

an actuation member that simultaneously actuates said plug lock member and said breaker lock member that operate said movable contact,

6

a plurality of contact chains, one for each pole of said socket;

wherein each contact chain comprises a receptacle provided with a downstream fixed contact, and a terminal that is provided with a respective upstream fixed contact;

wherein said upstream and downstream fixed contacts are configured to be in mutual electrical contact by means of the movable contact; and

wherein said upstream fixed contact is connected to an electric power source and said downstream fixed contact is connected to an electric load,

wherein each of said movable contact is pressed by a contrast spring with a mobile mechanical device and can be alternately brought into contact with said fixed contacts or moved away from the fixed contacts;

wherein each movable contact is configured to slide in a seat that only allows the moveable contact to move in a radial direction;

wherein each movable contact is accommodated in a contact holder that slides in said seat and accommodates said contrast spring;

wherein said contact holder is slidable on a respective cam of a plurality of cams formed on a cam disk;

wherein said cam disk is rotatable through an angle that is defined by stroke limiters constituted by mechanical abutments; and

wherein the rotation of said cam disk causes each contact holder and of the respective movable contact to slide in said radial direction.

2. The electrical socket according to claim **1**, comprising a contact chain for a ground connection constituted by a receptacle connected to a terminal by means of an unbroken conductor.

3. The electrical socket according to claim **1**, wherein each of said upstream contacts and each of said downstream contacts are arranged radially along a circumference with respect to other upstream contacts and downstream contacts, respectively.

4. The electrical socket according to claim **1**, wherein the rotary motion of said cam disk is transmitted by said actuation member constituted by a switching ring which is gripped and rotated;

wherein said switching ring contributes to form a casing of said socket, ensuring a hermetic seal.

5. The electrical socket according to claim **4**, wherein said switching ring transmits motion to said cam disk being integral with the switching ring.

6. The electrical socket according to claim **4**, wherein said switching ring transmits motion to said cam disk through an independent switching, wherein in independent switching there is no relation between a speed of manual actuation of said switching ring and a speed of the movement of the movable contacts;

wherein said switching ring comprises pusher members which, when said switching ring turns, begin to compress two switching springs accommodated in said cam disk, which is initially constrained and cannot rotate;

wherein said rotation of said switching ring, because of the constraint of the cam disk, progressively compresses said switching springs;

wherein the rotation of the cam disk is prevented by a system of lugs engage slots formed in a central body of said socket;

wherein a first lug and slot pair locks the cam disk in the open contact position, and a second lug and slot pair locks the cam disk in the closed contact position;

7

wherein the rotation of the switching ring, in the absence of the rotation of the cam disk, causes a progressive compression of the switching springs, and upon reaching a predetermined rotation angle, brackets form inside the switching ring, wherein said brackets extract the lugs of the cam disk from the corresponding slot; wherein said cam disk, when not constrained and pressed by the switching springs at a maximum compression point, rotates at a speed that is determined by forces and frictions but not by manual action on said switching ring, whose movement has by now ended;

wherein the cam disk, when pushed by the switching springs, rotates rapidly until it reaches a mechanical abutment;

wherein the rotation of the cam disk actuates the movable contacts by means of said cams; and

wherein in its end position, the second lug engages the second slot; and said engagement prevents the rotation of the cam disk in the opposite direction when performing the reverse switching.

7. The electrical socket according to claim 4, further comprising a slider and a return spring;

wherein the slider and return spring are arranged in an interspace between a cylindrical central part of the socket and an outer enclosure, wherein the interspace is adapted to receive a portion of said plug;

8

wherein when the plug is not inserted, said slider is in a position in which the return spring is in an extended position, and an inner head of the slider engages a contrast member of said switching ring, preventing its rotation and consequently the actuation of the breaker means;

wherein when the plug is inserted, an annular part of the plug presses against the slider, making it shift and compress the return spring; and

wherein when insertion has been completed, the inner head of the slider disengages from said contrast member of the switching ring, allowing its rotation and consequently the actuation of the breaker means.

8. The electrical socket according to claim 7, further comprising a hook formed in the switching ring, wherein the hook is adapted to interact with a lug provided on said plug; wherein when the plug is inserted, said switching ring can be rotated to the closed contact position; and the rotation moves the hook to a position that traps the lug and prevents extraction of the plug.

9. The electrical socket according to claim 1, wherein the plug lock member is in compliance with EN60309-4.

10. The electrical socket according to claim 1, wherein the electrical socket is in compliance with EN60309-1 and/or EN60309-2.

* * * * *